

GS

SERIES

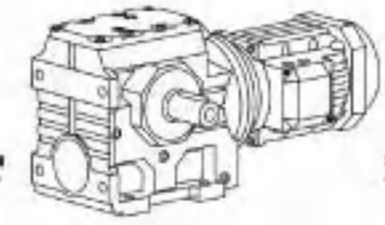
—
GS系列
斜齿轮-蜗轮减速电机
—

GS SERIES HELICAL-WORM
GEARED MOTOR

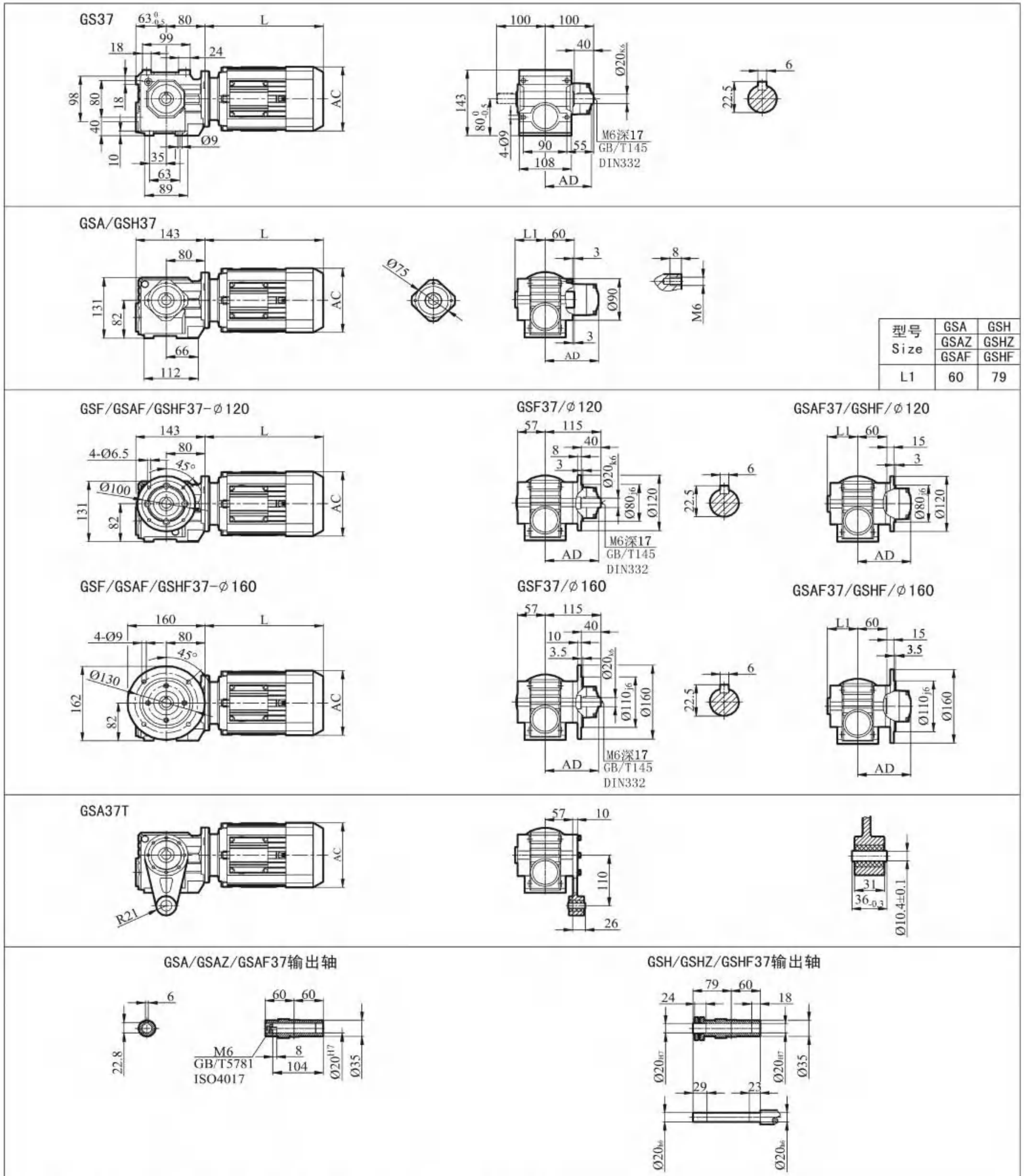


大国品质·世界标准

World Quality And Industry
Standards

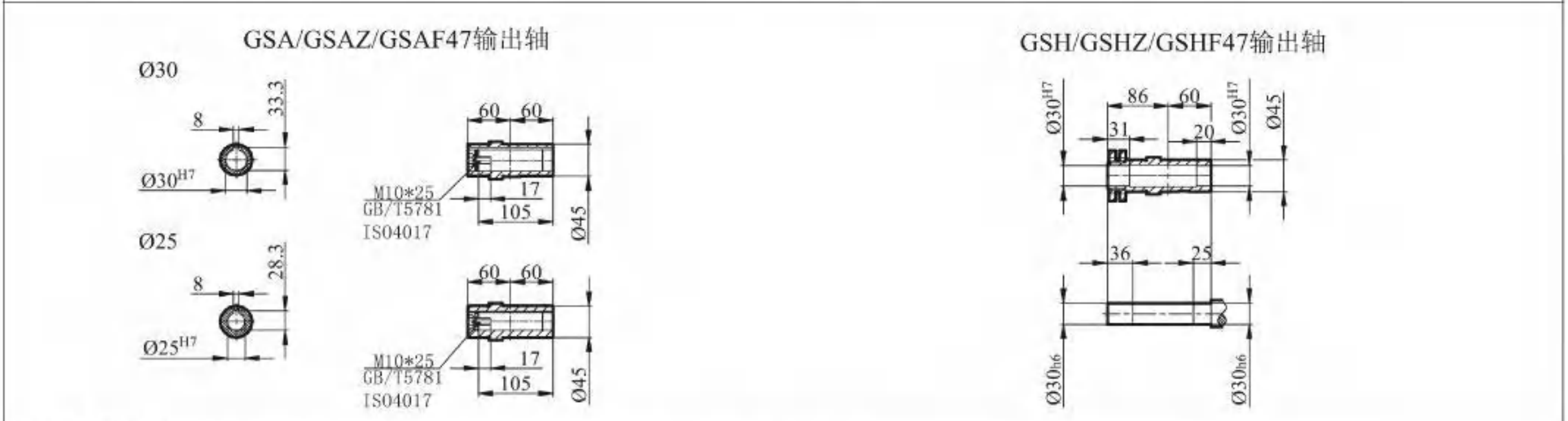
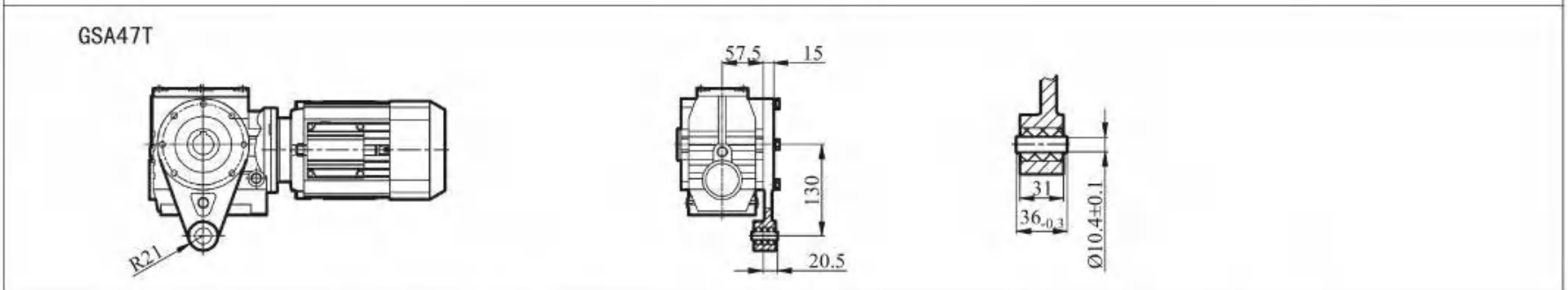
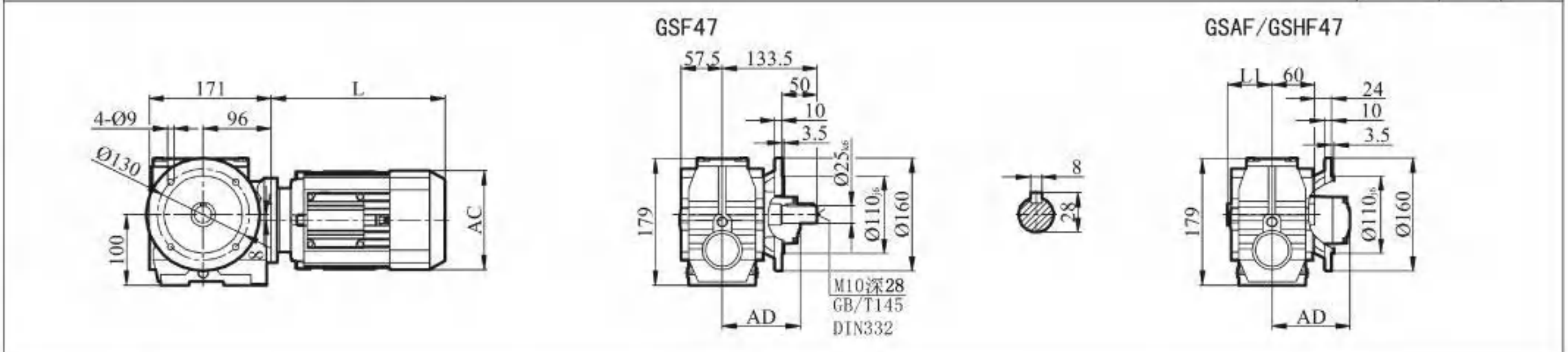
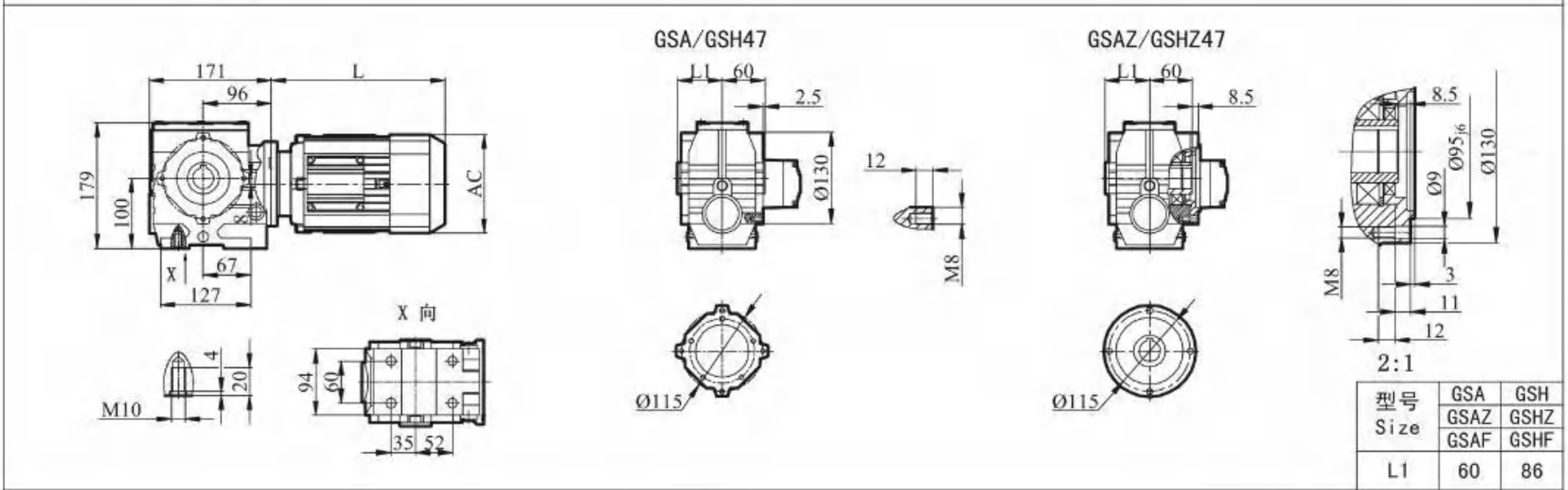
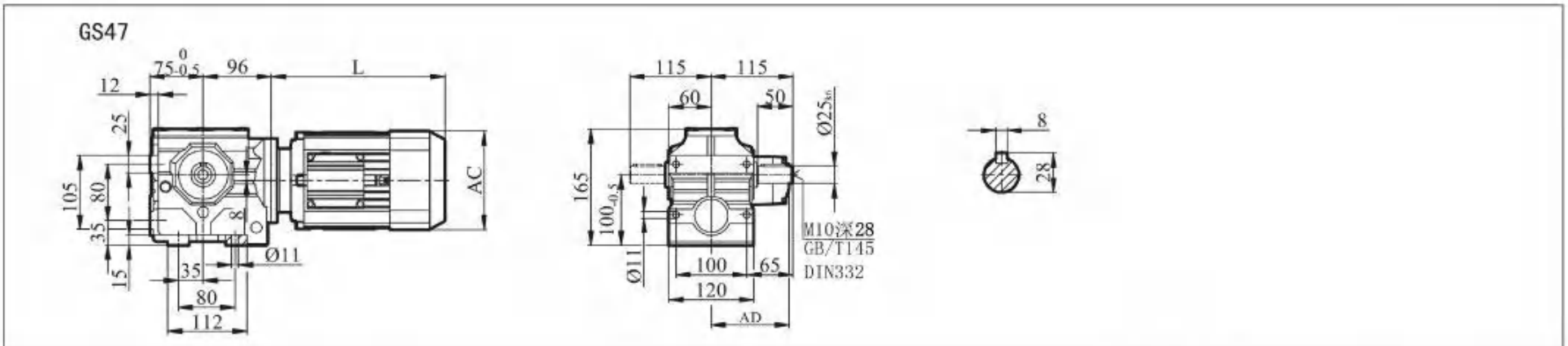


5.9 外形尺寸 / Dimensions

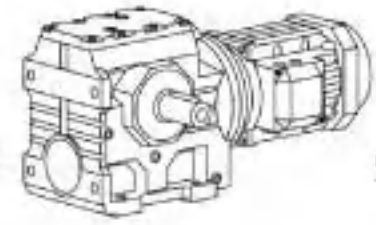


Y2电机机座号 Motor Size	63	71	80	90S	90L	100
L	226	240	288	301	326	349
AC	Φ130	□135	□145	□162	□162	□185
AD	100	110	140	155	155	180

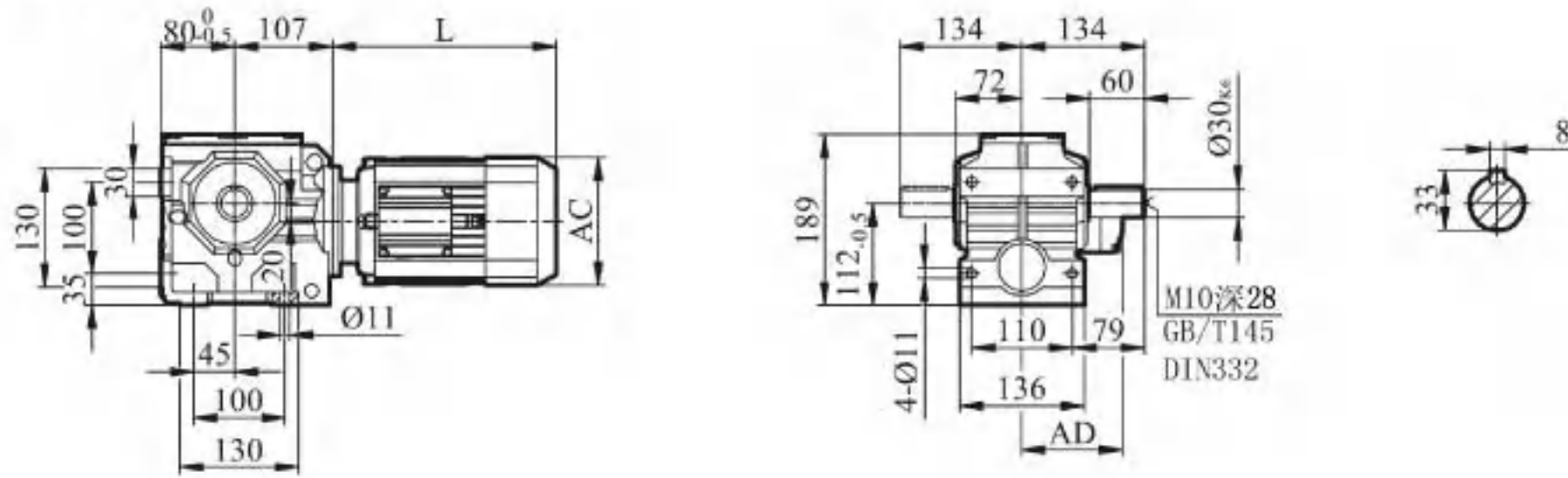
GS系列
斜齿轮-蜗轮减速电机



Y2电机机座号 Motor Size	63	71	80	90S	90L	100
L	226	240	288	301	326	349
AC	Φ130	□135	□145	□162	□162	□185
AD	100	110	140	155	155	180

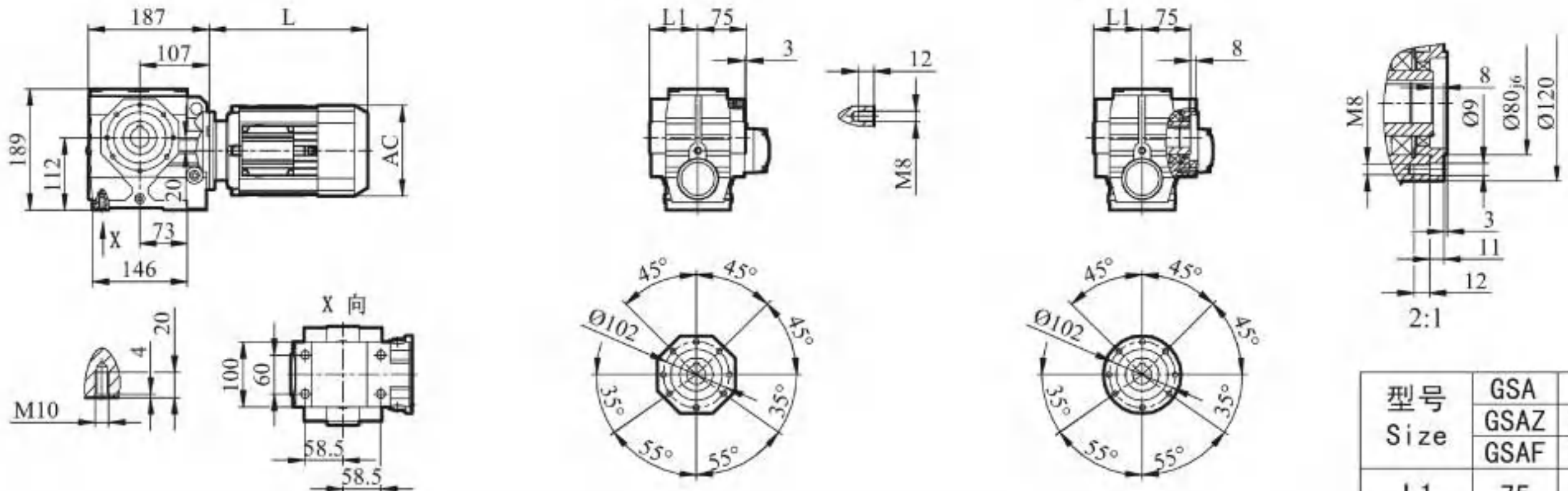


GS57



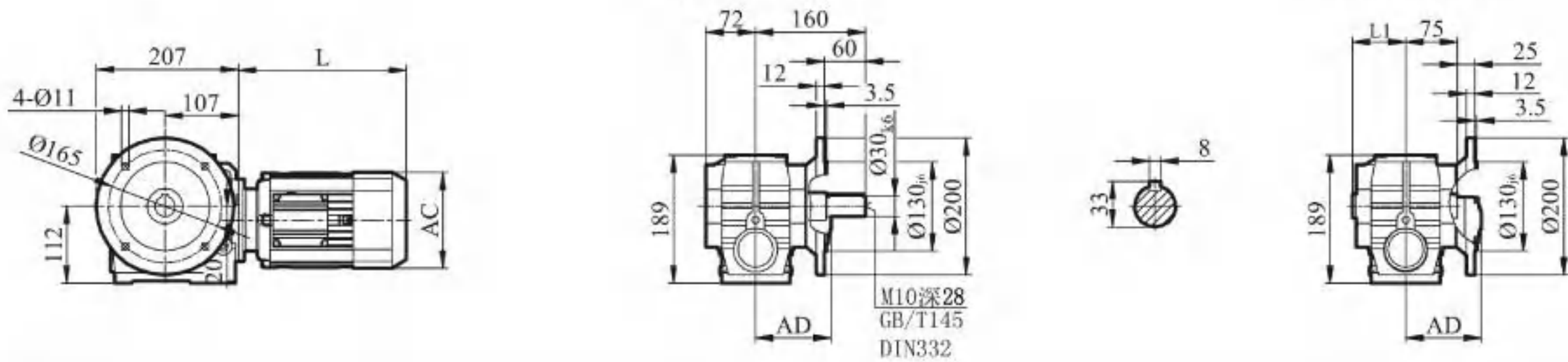
GSA/GSH57

GSAZ/GSHZ57

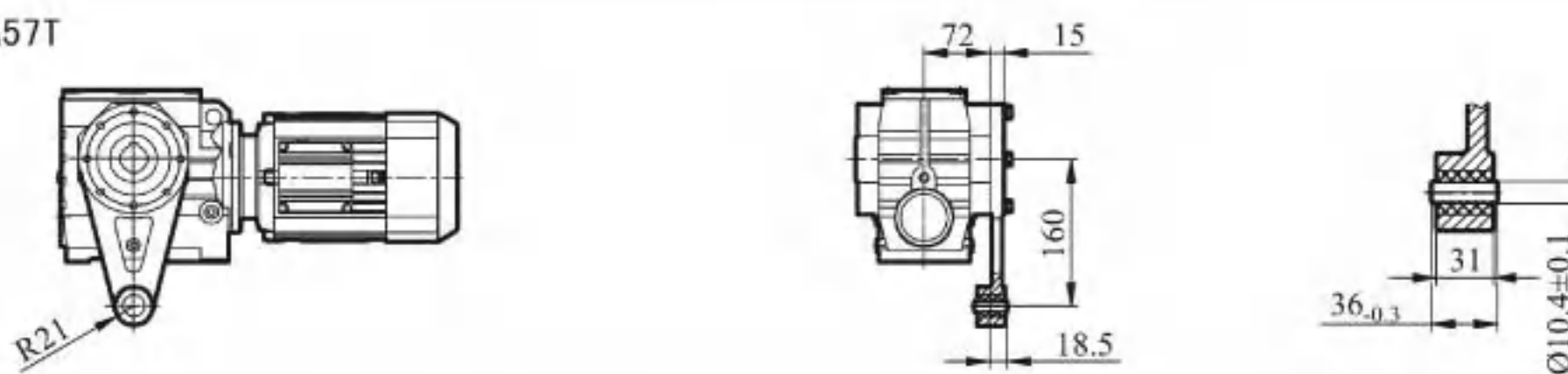


GSF57

GSAF/GSHF57

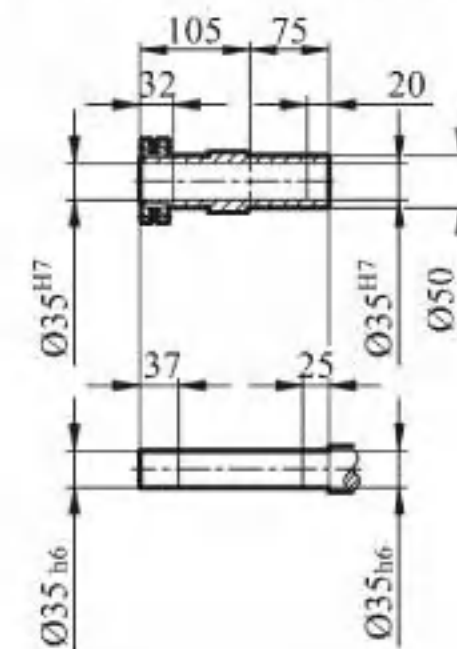
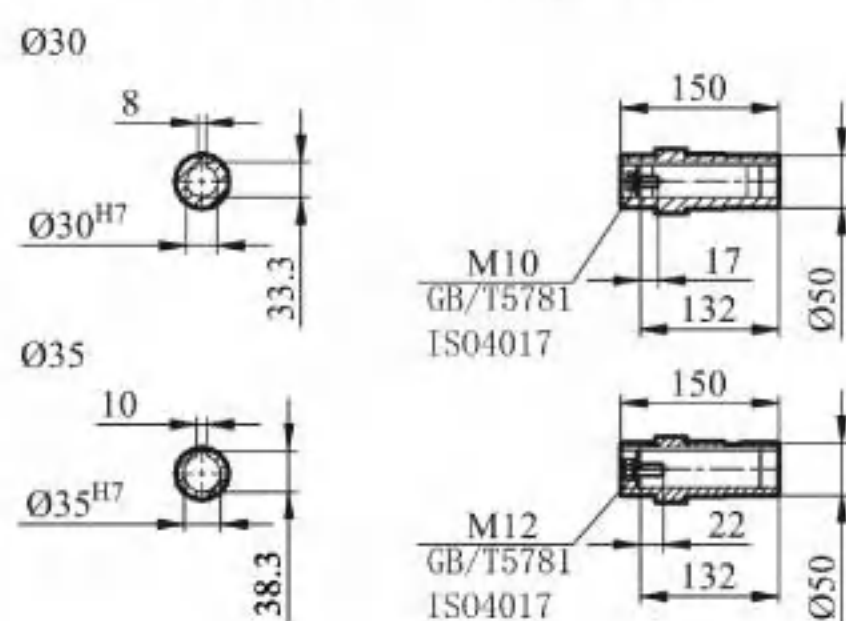


GSA57T



GSA/GSAZ/GSAF57输出轴

GSH/GSHZ/GSHF57输出轴

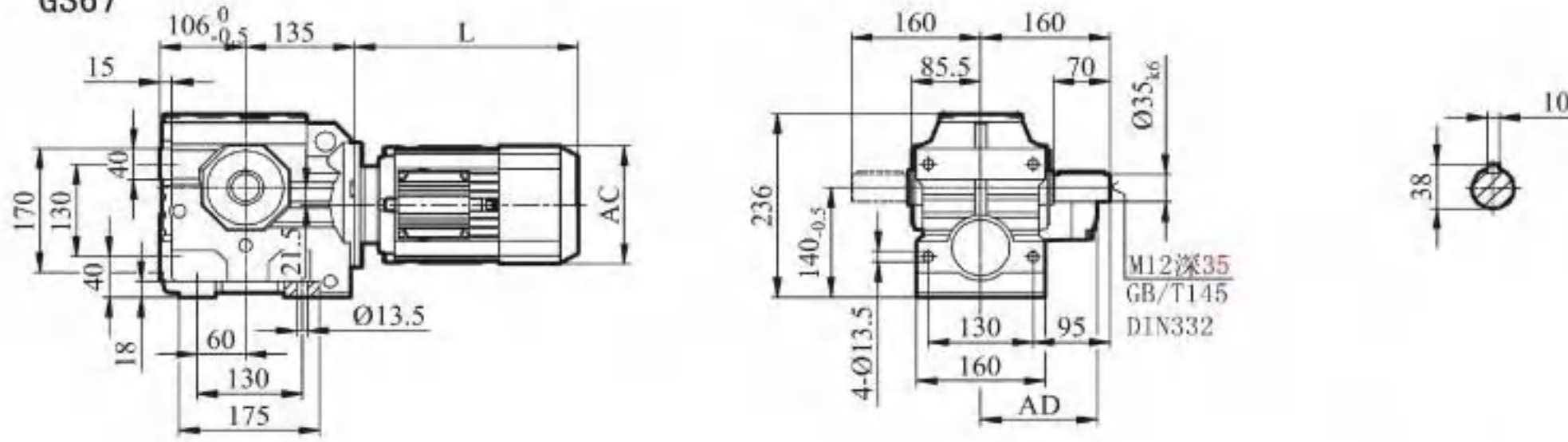


Y2电机机座号 Motor Size	63	71	80	90S	90L	100
L	226	240	288	301	326	349
AC	Φ130	□135	□145	□162	□162	□185
AD	100	110	140	155	155	180

GS
系列

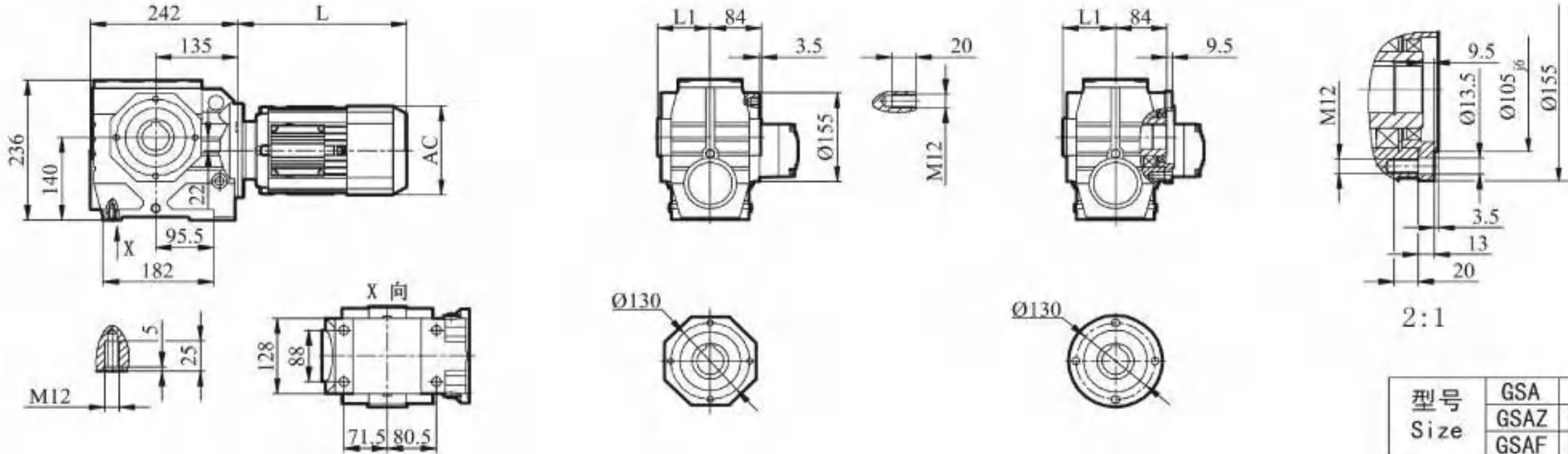
斜齿轮·蜗轮减速电机

GS67



GSA/GSH67

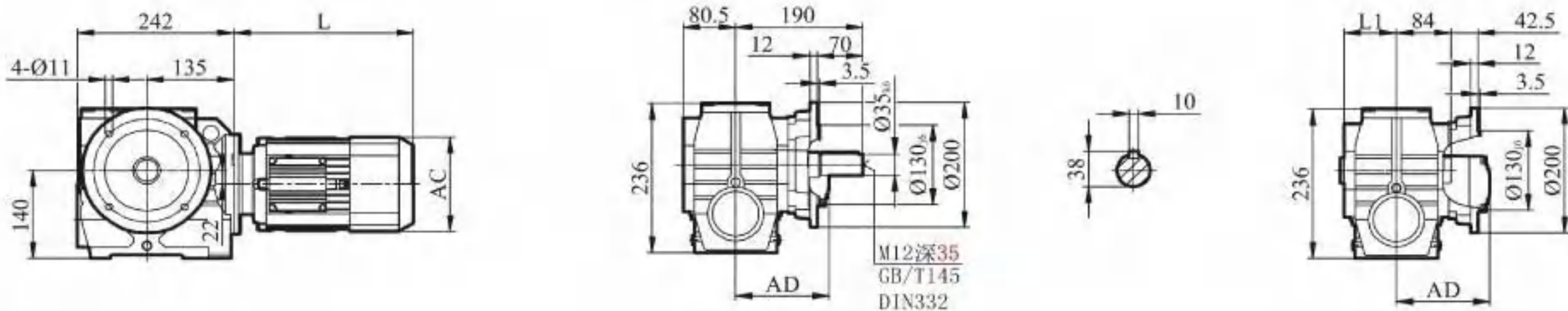
GSAZ/GSHZ67



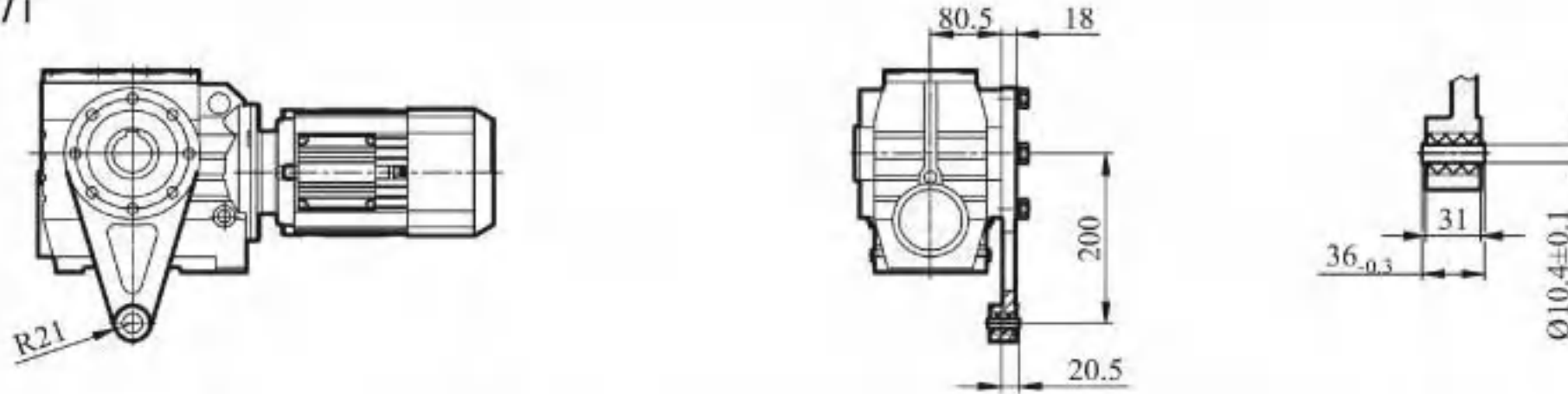
型号 Size	GSA GSAZ GSAF	GSH GSHZ GSHF
L1	84	120

GSF67

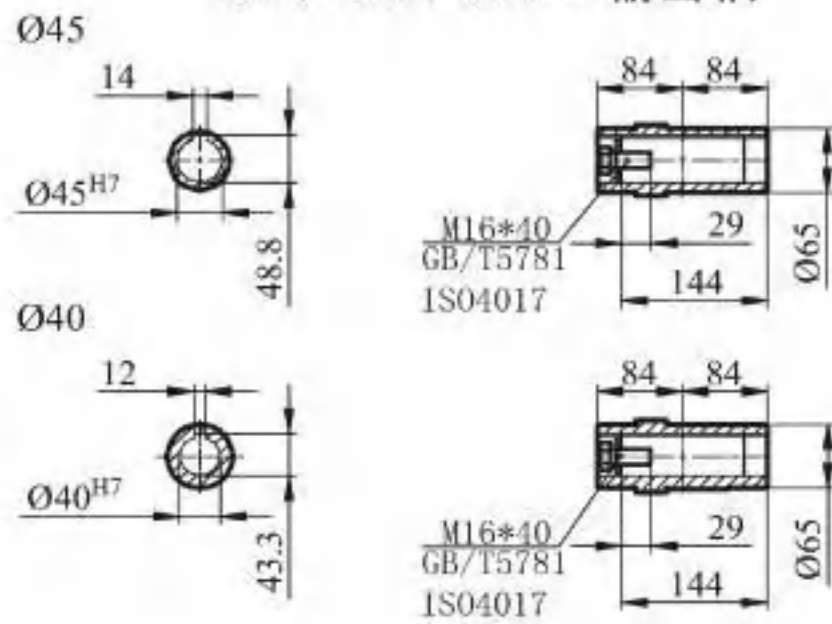
GSAF/GSHF67



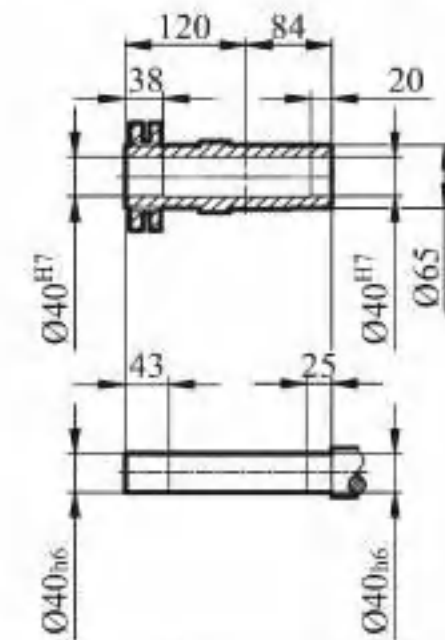
GSA67T



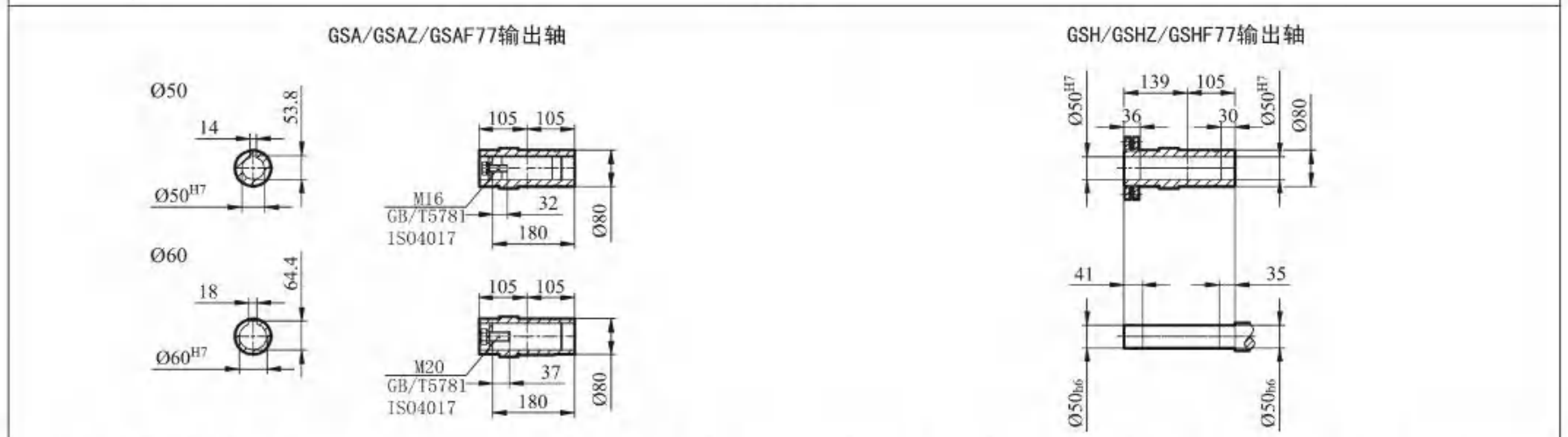
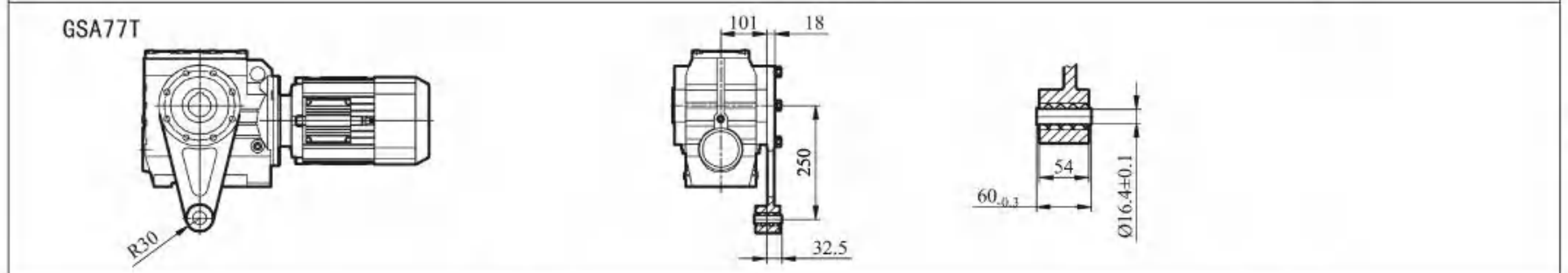
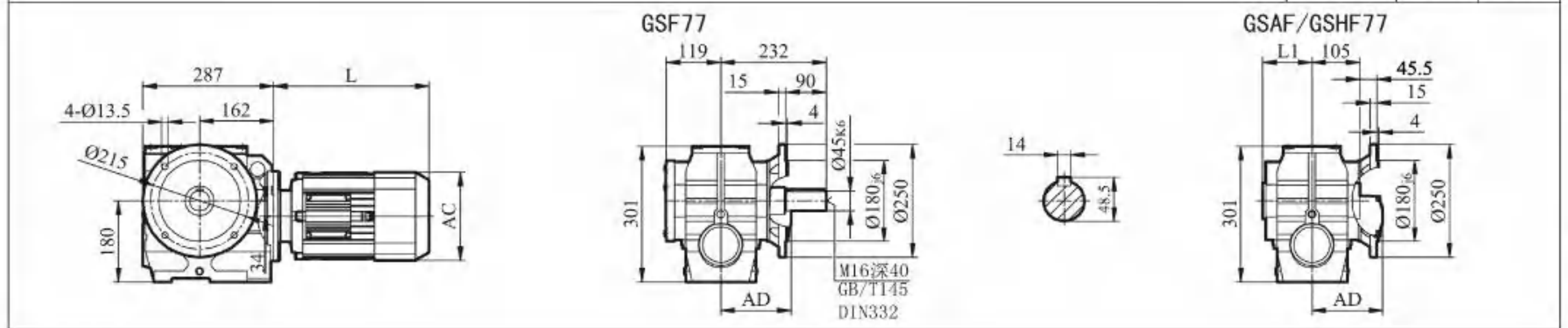
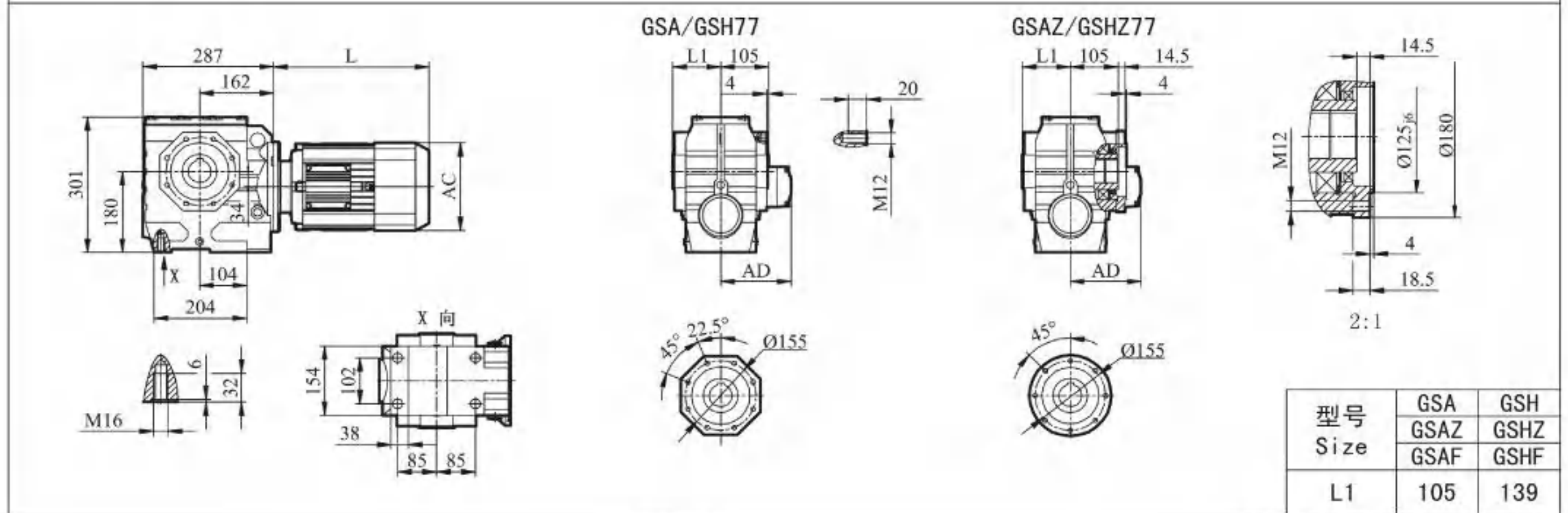
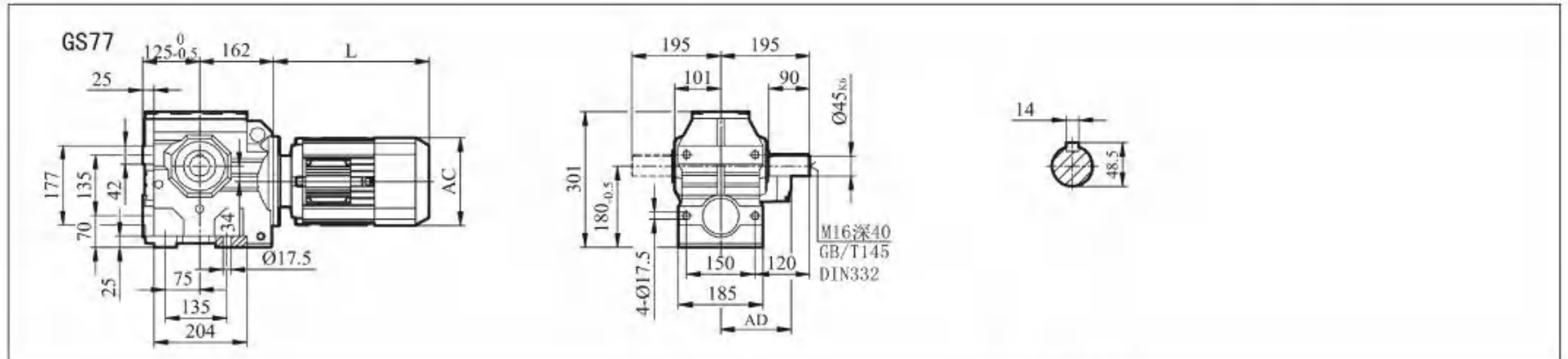
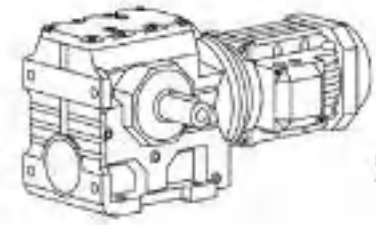
GSA/GSAZ/GSAF67输出轴



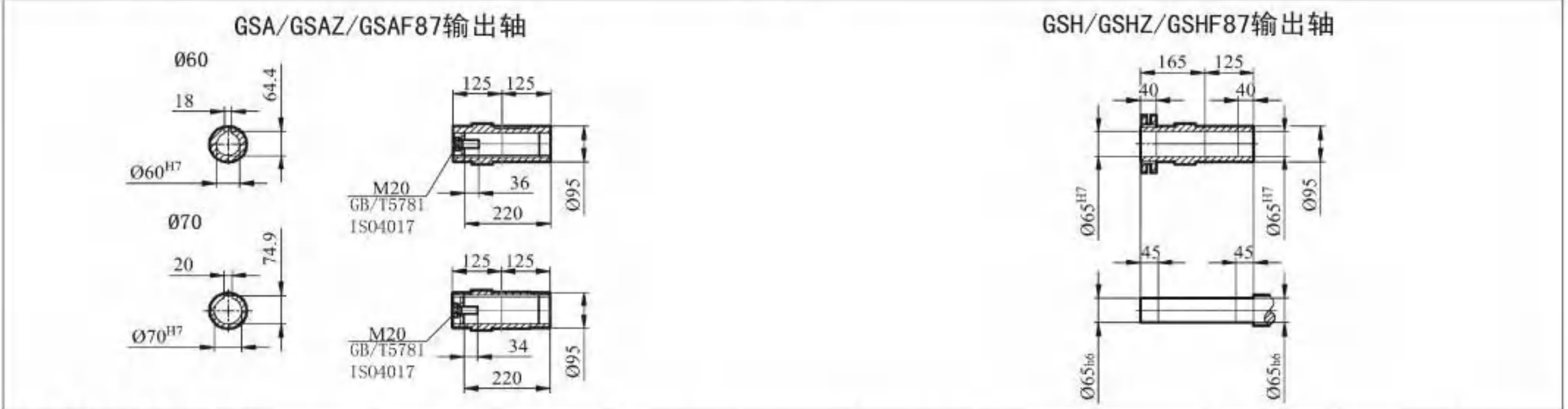
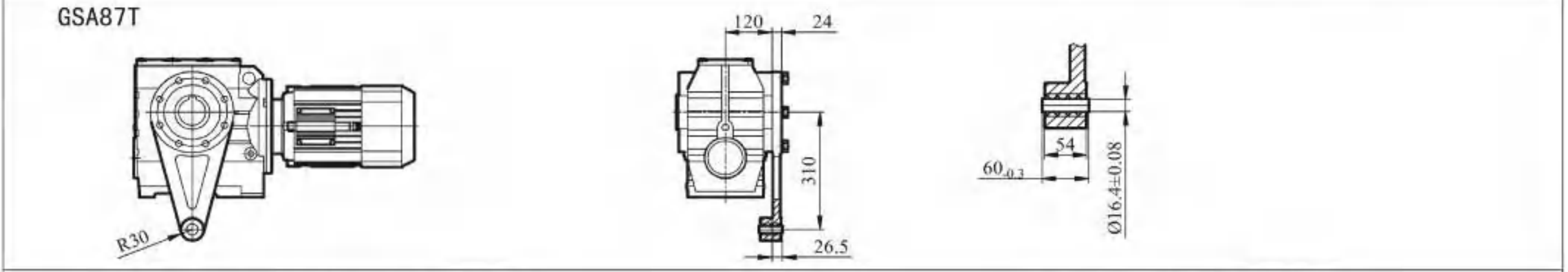
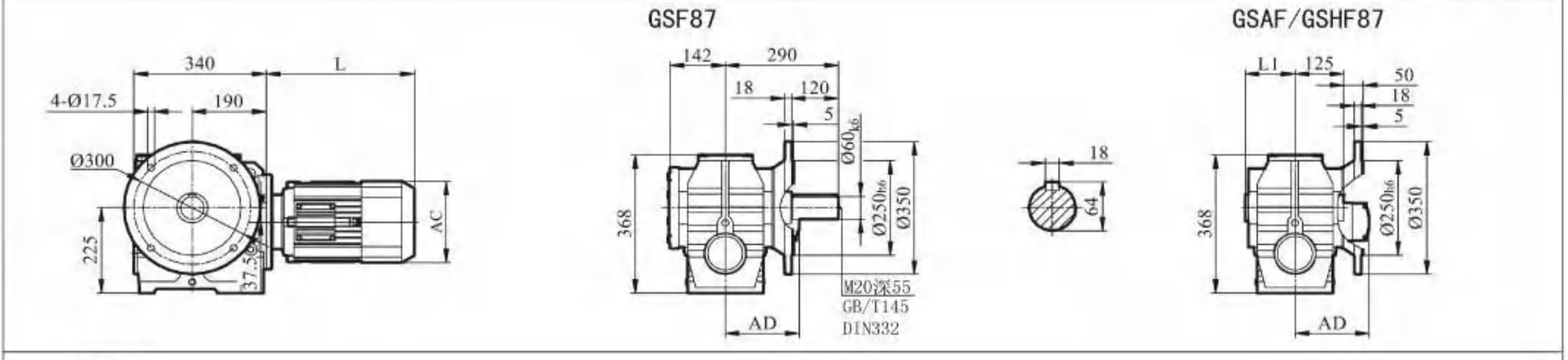
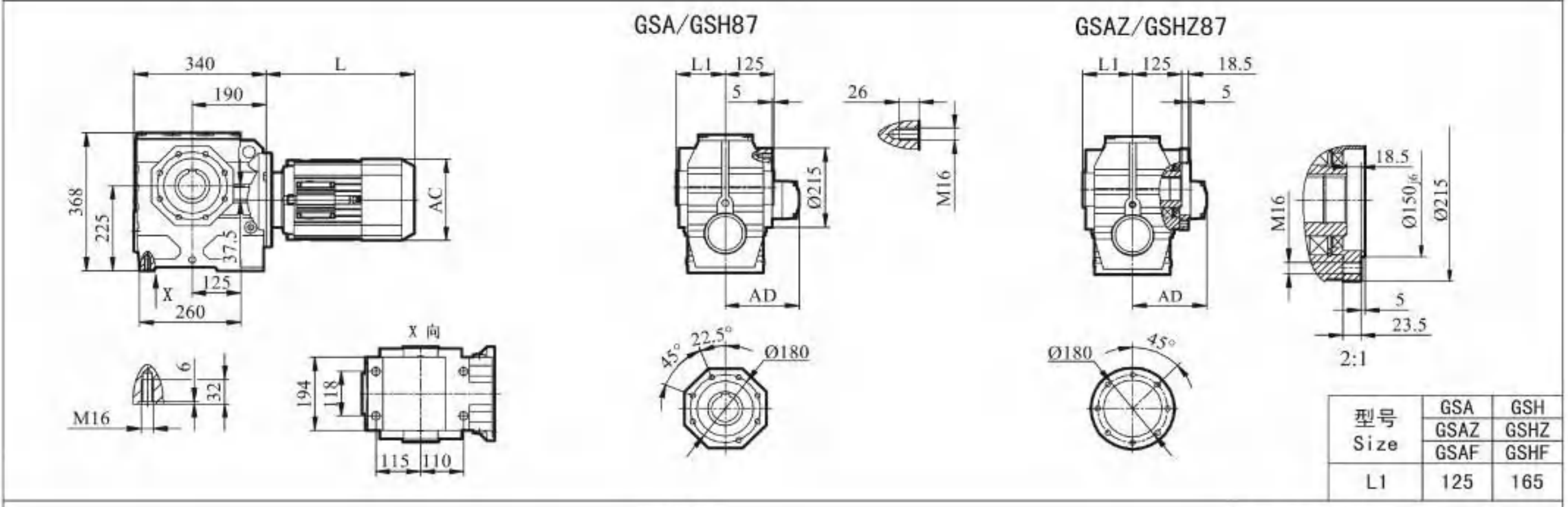
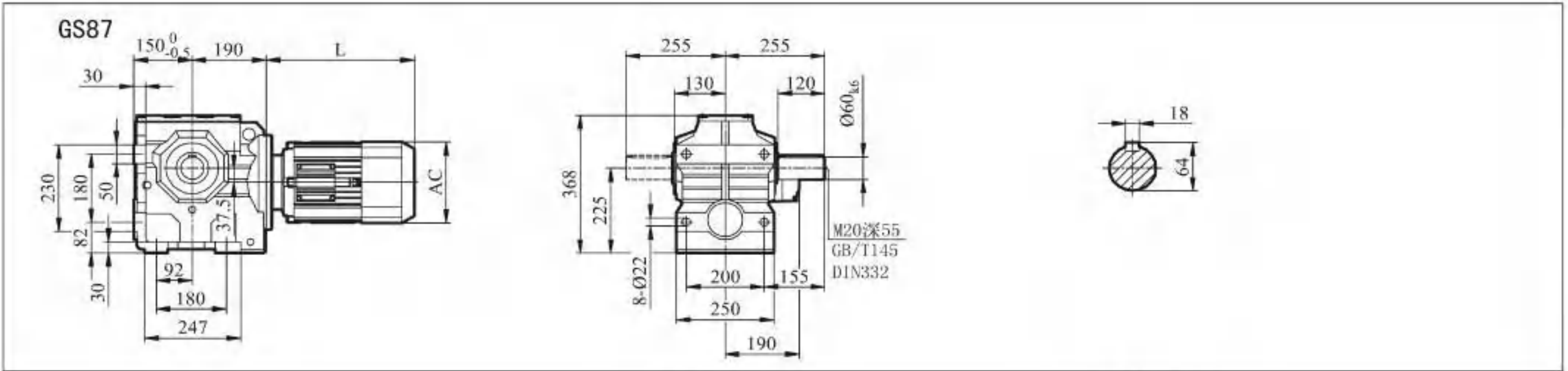
GSH/GSHZ/GSHF67输出轴



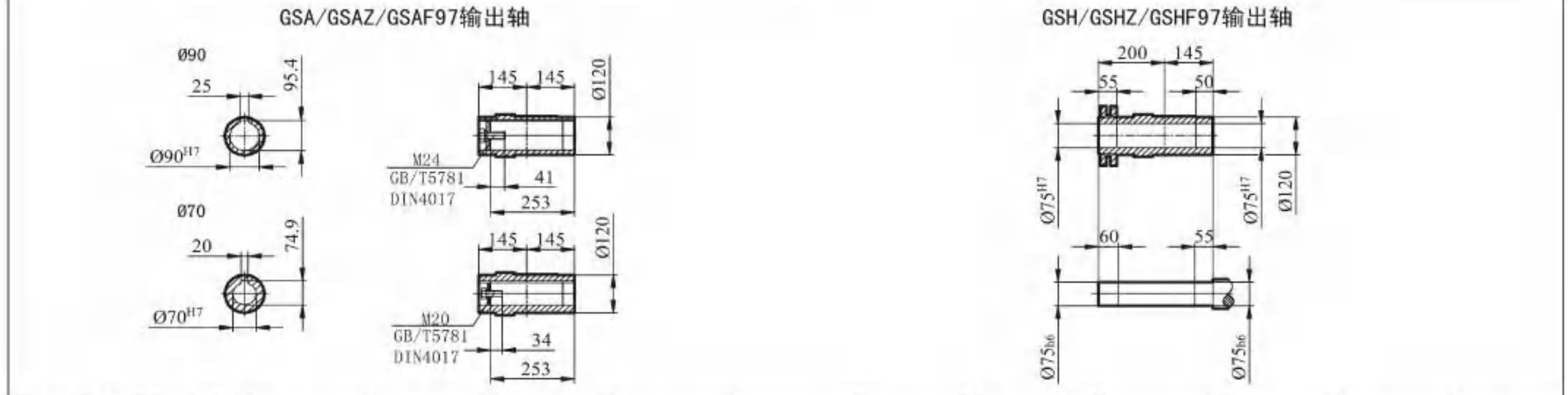
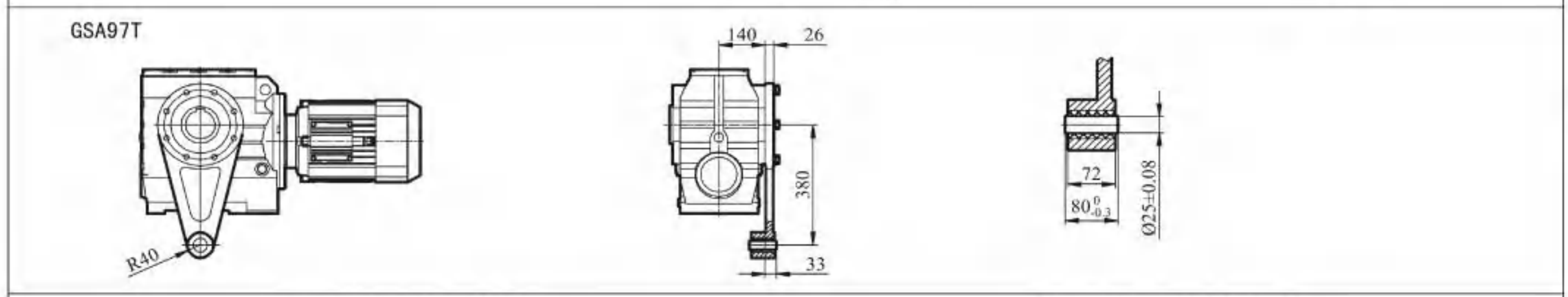
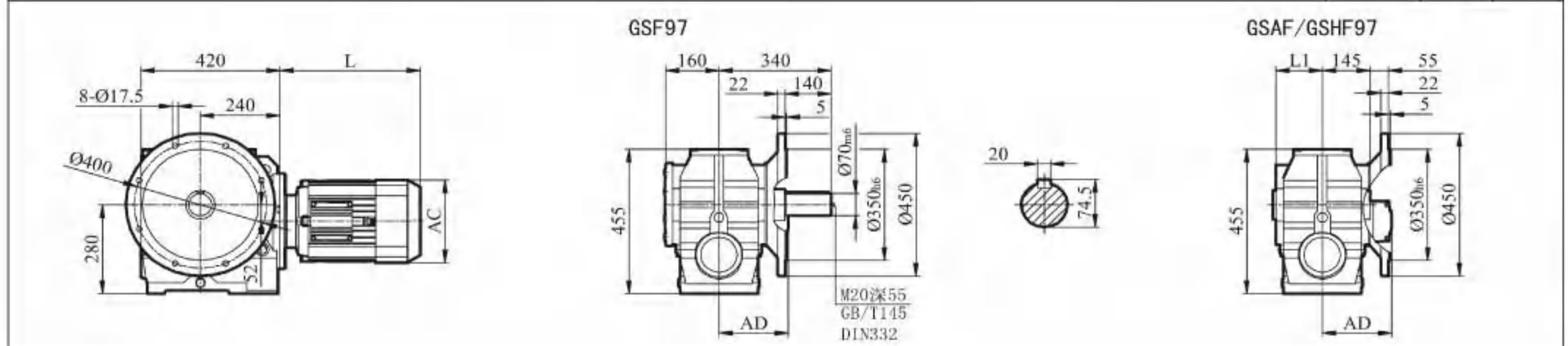
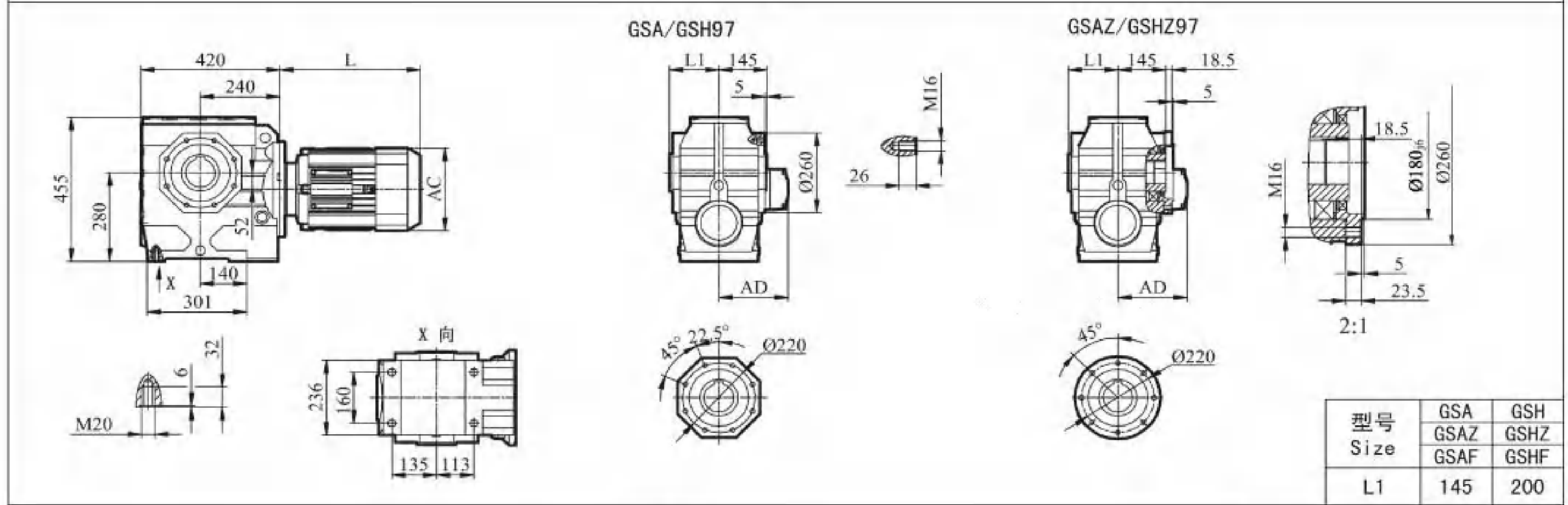
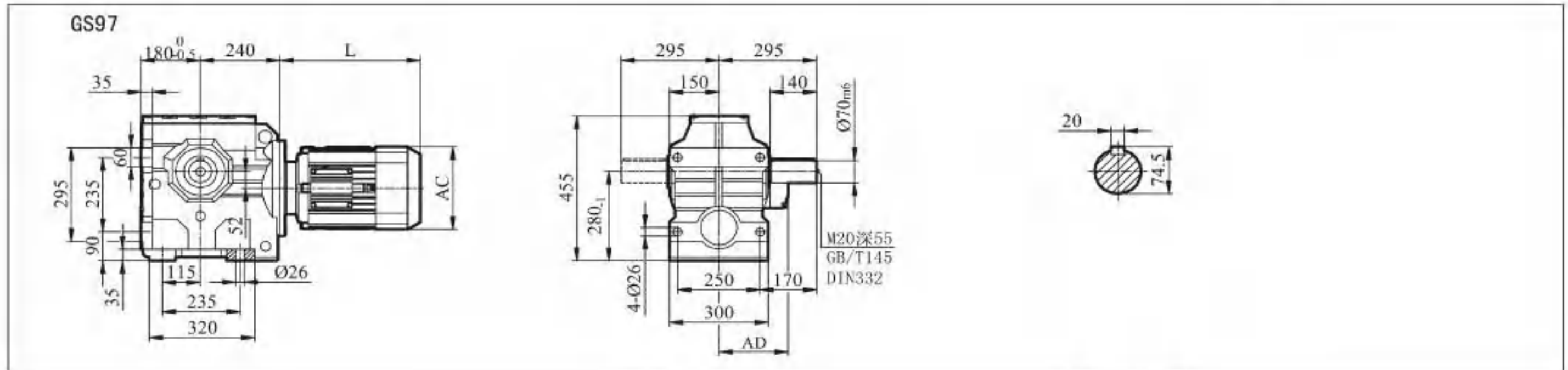
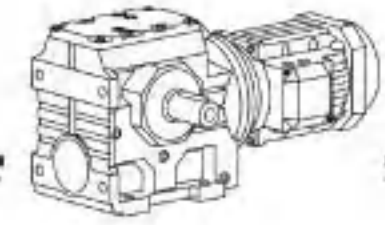
Y2电机机座号 Motor Size	63	71	80	90S	90L	100	112	132S
L	213	240	288	301	326	346	383	430
AC	Ø130	□135	□145	□162	□162	□185	□204	□260
AD	100	110	140	155	155	180	190	210



Y2电机机座号 Motor Size	71	80	90S	90L	100	112	132S	132M	160M
L	228	288	301	326	346	383	430	468	523
AC	□135	□145	□162	□162	□185	□204	□260	□260	φ330
AD	110	140	155	155	180	190	210	210	255



Y2电机机座号 Motor Size	80	90S	90L	100	112	132S	132M	160M	160L	180M	180L
L	256	277	302	346	383	430	468	523	567	602	642
AC	□145	□162	□162	□185	□204	□260	□260	Φ330	Φ330	Φ380	Φ380
AD	140	155	155	180	190	210	210	255	255	280	280

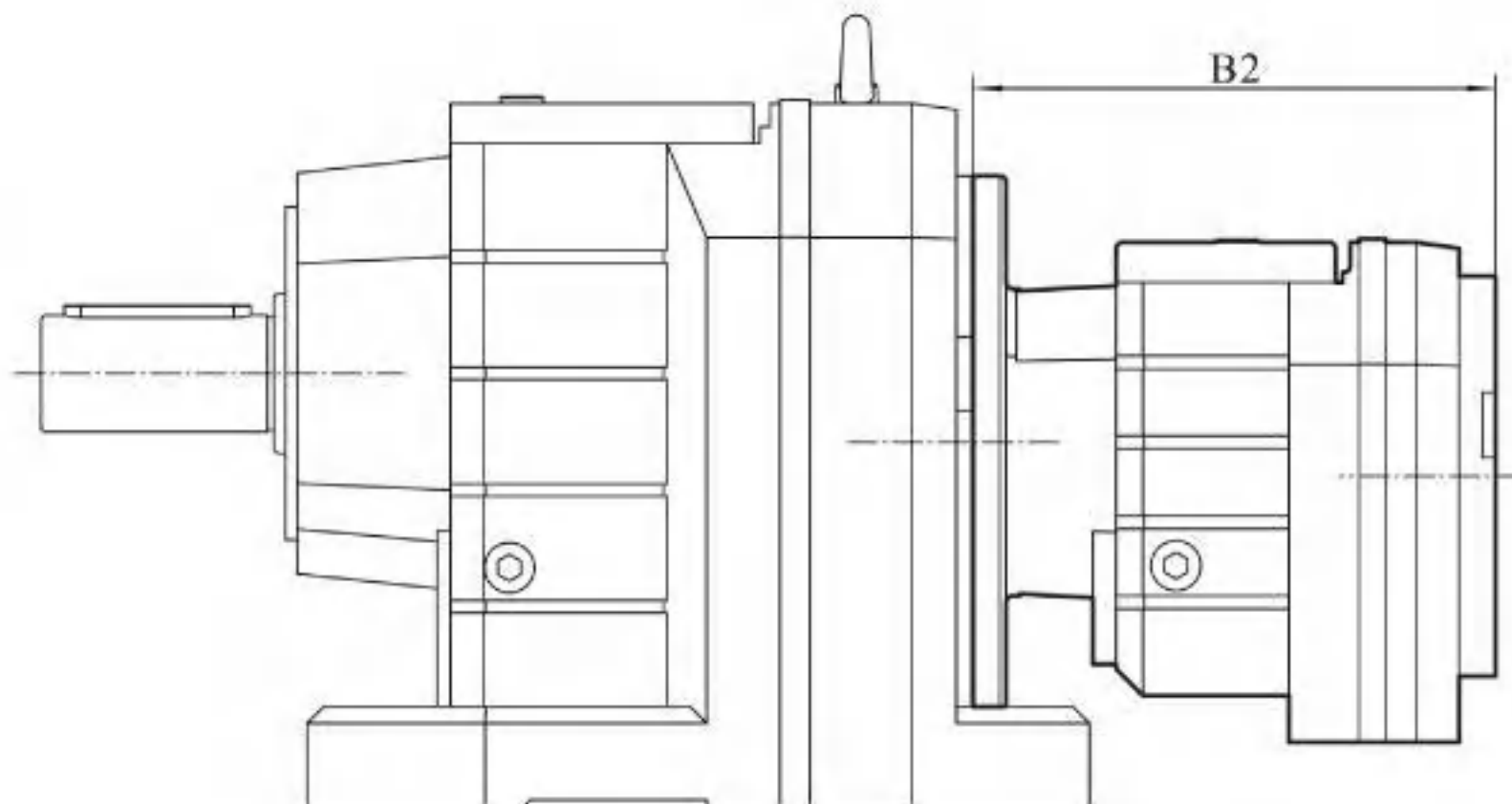


Y2电机机座号 Motor Size	90S	90L	100	112	132S	132M	160M	160L	180M	180L	200L
L	269	294	311	334	430	468	523	567	583	623	670
AC	□162	□162	□185	□204	□260	□260	φ330	φ330	φ380	φ380	φ420
AD	155	155	180	190	210	210	255	255	280	280	305

GS系列
斜齿轮-蜗轮减速电机

6. 输入模块外形尺寸/ Dimensions of Input Module

6.1 GRF..外形尺寸/ GRF.. Dimensions



机座号/Frame size	B2
GR..27GRF17	134.5
GR..37GRF17	134.5
GR..47GRF37	165
GR..57GRF37	165
GR..67GRF37	165
GR..77GRF37	157
GR..87GRF57	201
GR..97GRF57	192
GR..107GRF77	223
GR..137GRF77	226
GR..147GRF77	205
GR..147GRF87	277
GR..167GRF97	329
GR..167GRF107	383

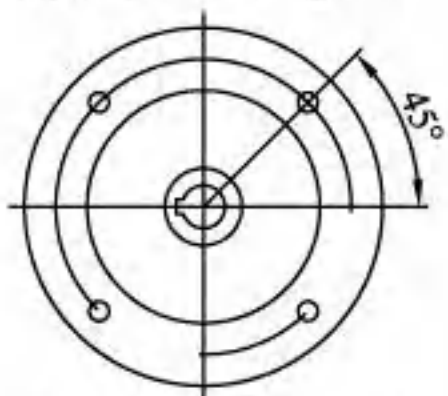
机座号/Frame size	B2
GF..27GRF17	134.5
GF..37GRF17	134.5
GF..47GRF17	134.5
GF..57GRF37	165
GF..67GRF37	165
GF..77GRF37	157
GF..87GRF57	201
GF..97GRF57	192
GF..107GRF77	223
GF..127GRF77	205
GF..127GRF87	277
GF..157GRF97	329

机座号/Frame size	B2
GK..37GRF17	134.5
GK..47GRF37	165
GK..57GRF37	165
GK..67GRF37	165
GK..77GRF37	157
GK..87GRF57	201
GK..97GRF57	192
GK..107GRF77	223
GK..127GRF77	205
GK..127GRF87	277
GK..157GRF97	329
GK..157GRF107	383
GK..167GRF97	329
GK..167GRF107	383
GK..187GRF97	329
GK..187GRF107	383

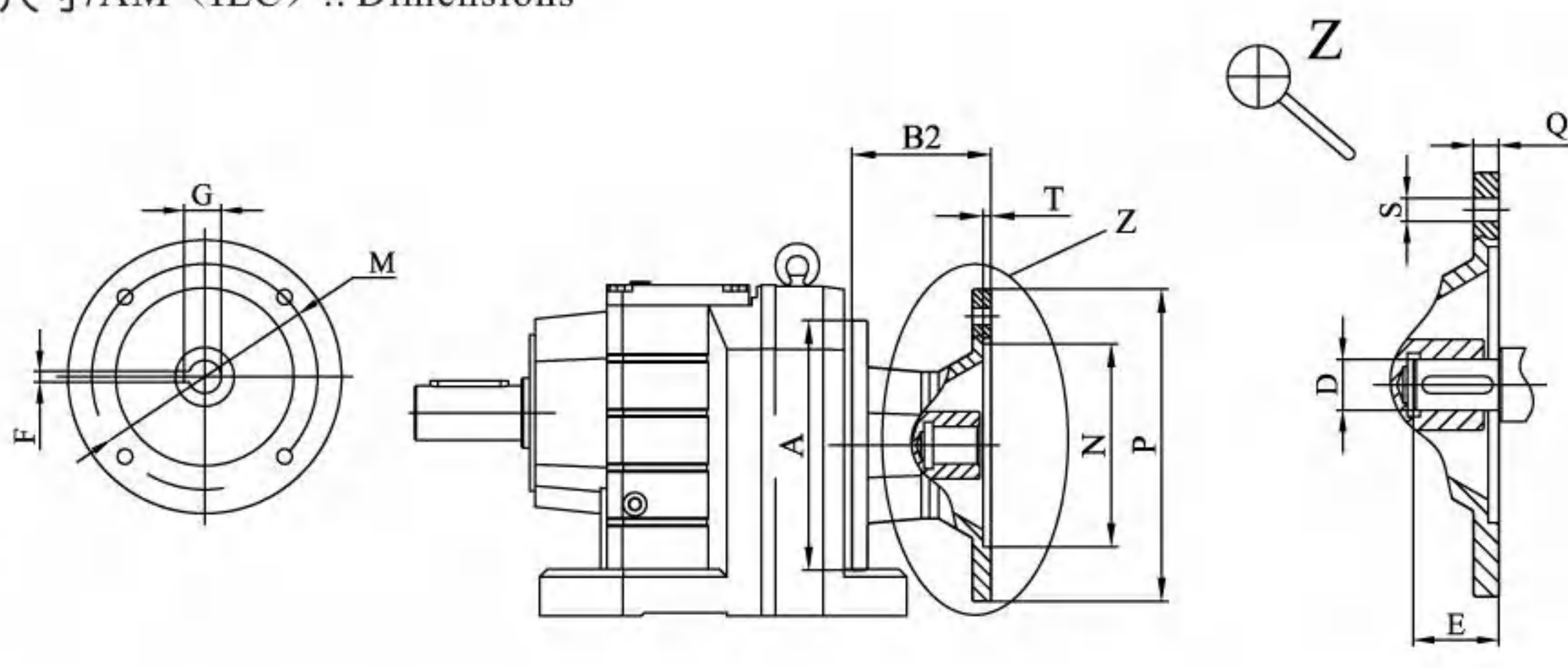
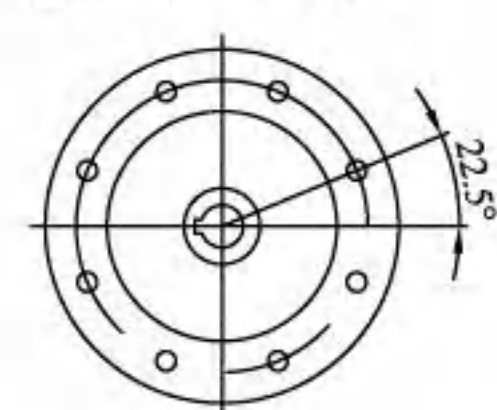
机座号/Frame size	B2
GS..37GRF17	134.5
GS..47GRF17	134.5
GS..57GRF17	134.5
GS..67GRF37	165
GS..77GRF37	157
GS..87GRF57	201
GS..97GRF57	192

6.2 AM(IEC)..外形尺寸/AM (IEC) .. Dimensions

法兰1/Flange.1



法兰2/Flange.2

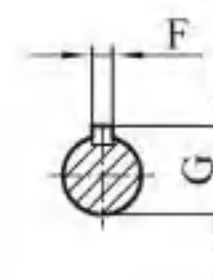
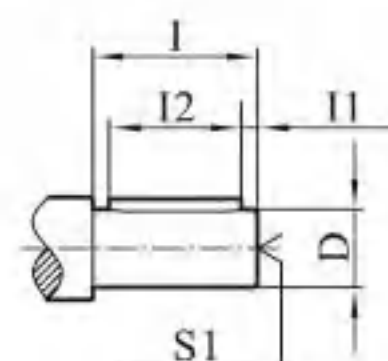
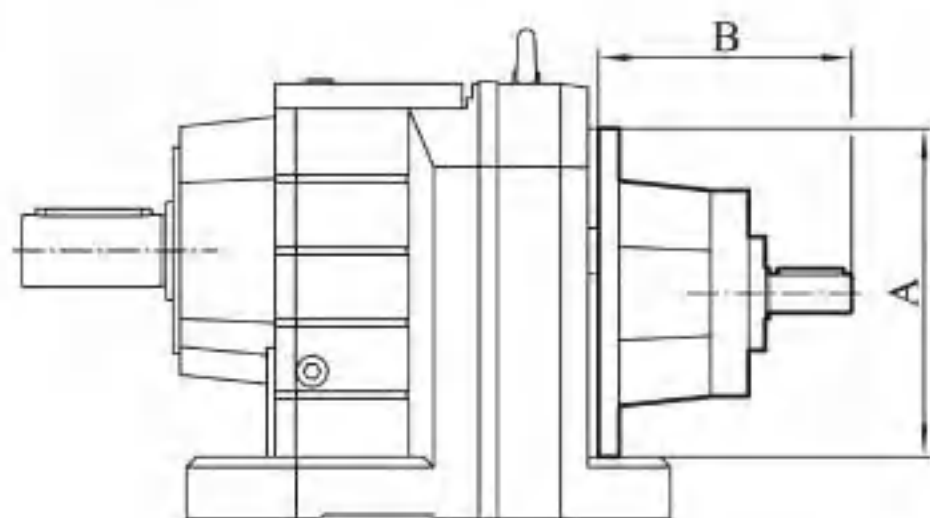
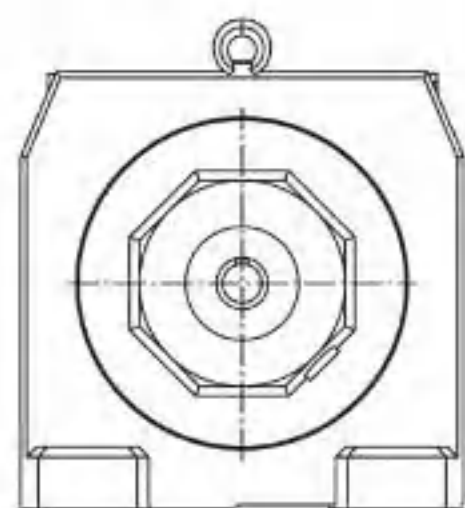


型号 Frame size	AM	Flange	A	B2	D	E	F	G	M	N	P	Q	S	T
GR..17/27/37 GF..27/37/47 GS..37/47/57 GK..37	AM63	1	120	70	11	23	4	12.8	115	95	140	10	4-Φ9	3.5
	AM71				14	30	5	16.3	130	110	160			
	AM80			90	19	40	6	21.8	165	130	200	12	4-Φ11	4.5
	AM90				24	50	8	27.3						
	AM100			110	28	60	8	31.3	215	180	250	15	4-Φ13.5	5
GR..47/57/67 GF..57/67 GS..67 GK..47/57/67	AM63	1	160	70	11	23	4	12.8	115	95	140	10	4-Φ9	3.5
	AM71				14	30	5	16.3	130	110	160			
	AM80			90	19	40	6	21.8	165	130	200	12	4-Φ11	4.5
	AM90				24	50	8	27.3						
	AM100			110	28	60	8	31.3	215	180	250	15	4-Φ13.5	5
	AM112													
	AM132S/M			140	38	80	10	41.3	265	230	300	16		
GR..77 GF..77 GS..77 GK..77	AM63	1	200	70	11	23	4	12.8	115	95	140	10	4-Φ9	3.5
	AM71				14	30	5	16.3	130	110	160			
	AM80			90	19	40	6	21.8	165	130	200	12	4-Φ11	4.5
	AM90				24	50	8	27.3						
	AM100			110	28	60	8	31.3	215	180	250	15	4-Φ13.5	5
	AM112													
	AM132S/M			140	38	80	10	41.3	265	230	300	16		
	AM160			180	42	110	12	45.3	300	250	350	18	4-Φ17.5	6
	GR..87 GF..87 GS..87 GK..87			AM80	1	250	90	19	40	6	21.8	165	130	200
AM90		24	50	8				27.3						
AM100		110	28	60			8	31.3	215	180	250	15	4-Φ13.5	5
AM112														
AM132S/M		140	38	80			10	41.3	265	230	300	16		
AM160		180	42	110			12	45.3	300	250	350	18	4-Φ17.5	6
AM180														

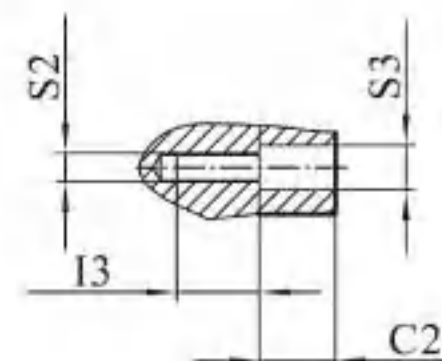
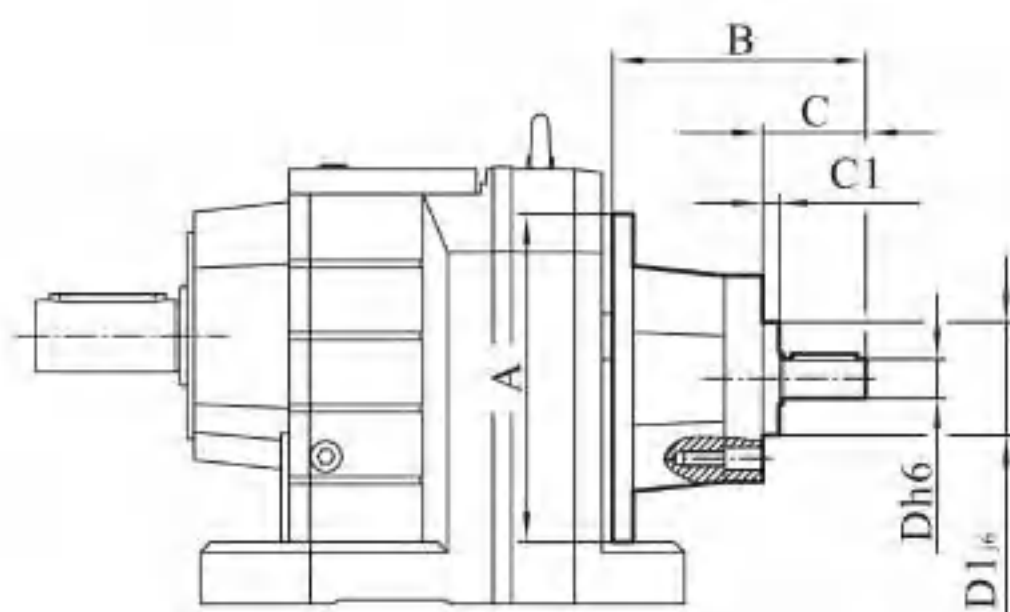
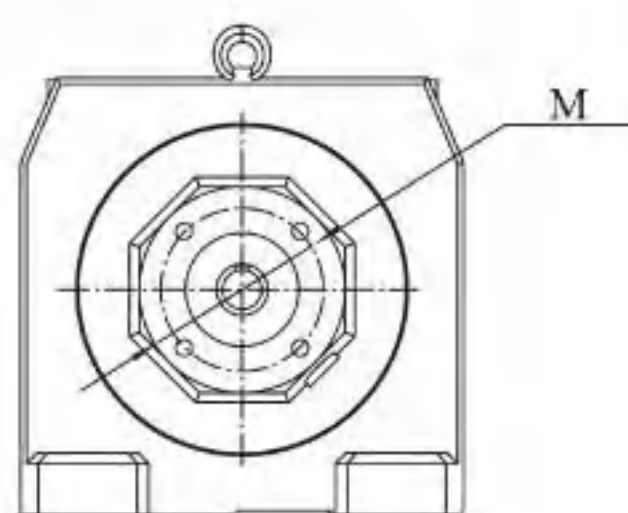
型号 Frame size	AM	Flange	A	B2	D	E	F	G	M	N	P	Q	S	T		
GR..97 GF..97 GS..97 GK..97	AM90	1	300	90	24	50	8	27.3	165	130	200	12	4-Φ11	4.5		
	AM100			110	28	60	8	31.3	215	180	250	15	4-Φ13.5	5		
	AM112															
	AM132S/M			140	38	80	10	41.3	265	230	300	16	4-Φ17.5	6		
	AM132ML															
	AM160			180	42	110	12	45.3	300	250	350	18	4-Φ17.5	6		
	AM180														48	
AM200	210	55		16	59.3	350	300	400	20		7					
GR..107 GF..107 GK..107	AM100	1	350	110	28	60	8	31.3	215	180	250	15	4-Φ13.5	5		
	AM112			140	38	80	10	41.3	265	230	300	16	4-Φ17.5	6		
	AM132S/M															
	AM132ML			180	42	110	12	45.3	300	250	350	18	4-Φ17.5	6		
	AM160														48	
	AM180			210	55	140	16	59.3	350	300	400	20	8-Φ17.5	7		
	AM200														250	60
AM225	2	2	250	60	140	18	64.4	400	350	450	22	8-Φ17.5	7			
GR..137	AM132S/M	1	400	140	38	80	10	41.3	265	230	300	16	4-Φ13.5	5		
	AM132ML			180	42	110	12	45.3	300	250	350	18	4-Φ17.5	6		
	AM160														48	
	AM180			210	55	140	16	59.3	350	300	400	20	8-Φ17.5	7		
	AM200														250	60
	AM225			2	2	320	65	140	18	69.4	500	450	550	25		
	AM250			2	2	320	65	140	18	69.4	500	450	550	25	8-Φ17.5	7
AM280																
GR..147 GF..127 GK..127	AM132S/M	1	450	140	38	80	10	41.3	265	230	300	16	4-Φ13.5	5		
	AM132ML			180	42	110	12	45.3	300	250	350	18	4-Φ17.5	6		
	AM160														48	
	AM180			210	55	140	16	59.3	350	300	400	20	8-Φ17.5	7		
	AM200														250	60
	AM225			2	2	320	65	140	18	69.4	500	450	550	25		
	AM250			2	2	320	65	140	18	69.4	500	450	550	25	8-Φ17.5	7
AM280																
AM280	2	2	320	75	140	20	79.9	500	450	550	25	8-Φ17.5	7			
GR..167 GF..157 GK..157 GK..167 GK..187	AM160	1	550	180	42	110	12	45.3	300	250	350	18	4-Φ17.5	6		
	AM180			210	55	16	59.3	350	300	400	20	8-Φ17.5	7			
	AM200															
	AM225			250	60	18	64.4	400	350	450	22	8-Φ17.5	7			
	AM250													2	2	320
	AM280			2	2	320	75	140	20	79.9	500	450	550			
	2	2	320	75	140	20	79.9	500	450	550	25	8-Φ17.5	7			

6.3 AD..外形尺寸/AD.. Dimensions

AD..



AD../ZR



型号 Frame size	AD..	A	B	C	C1	C2	D	D1	F	G	I	I1	I2	I3	M	S1	S2	S3	
GR..17/27	AD1	120	100	-	-	-	16	-	5	18	40	4	32	-	-	M5*12.5	-	-	
GF..27	AD2, AD2/ZR		114	50	8	13.5	19	55	6	21.5	40	4	32	12	78	M6*16	M8	9	
GR/GF..37	AD1		100	-	-	-	16	-	5	18	40	4	32	-	-	M5*12.5	-	-	
GK/GS..37	AD2, AD2/ZR		114	50	8	13.5	19	55	6	21.5	40	4	32	12	78	M6*16	M8	9	
GF..47	AD1		100	-	-	-	16	-	5	18	40	4	32	-	-	M5*12.5	-	-	
GS..47	AD2, AD2/ZR		114	50	8	13.5	19	55	6	21.5	40	4	32	12	78	M6*16	M8	9	
GS..57	AD1		100	-	-	-	16	-	5	18	40	4	32	-	-	M5*12.5	-	-	
	AD2, AD2/ZR		114	50	8	13.5	19	55	6	21.5	40	4	32	12	78	M6*16	M8	9	
GR..47	AD2, AD2/ZR		160	114	50	8	13.5	19	55	6	21.5	40	4	32	12	78	M6*16	M8	9
GK..47	AD3, AD3/ZR			130	60	8	15.5	24	70	8	27	50	5	40	16	98	M8*19	M10	11
GR/GF..57	AD2, AD2/ZR			114	50	8	13.5	19	55	6	21.5	40	4	32	12	78	M6*16	M8	9
GK..57	AD3, AD3/ZR			130	60	8	15.5	24	70	8	27	50	5	40	16	98	M8*19	M10	11
GR/GF..67	AD2, AD2/ZR	114		50	8	13.5	19	55	6	21.5	40	4	32	12	78	M6*16	M8	9	
GK/GS..67	AD3, AD3/ZR	130		60	8	15.5	24	70	8	27	50	5	40	16	98	M8*19	M10	11	
GR/GF..77 GK/GS..77	AD2, AD2/ZR	200		114	50	8	13.5	19	55	6	21.5	40	4	32	12	78	M6*16	M8	9
	AD3, AD3/ZR			130	60	8	15.5	24	70	8	27	50	5	40	16	98	M8*19	M10	11
	AD4, AD4/ZR			186	95.5	13	16	38	92	10	41	80	5	70	20	120	M12*28	M12	13.5
GR/GF..87 GK/GS..87	AD2, AD2/ZR	250		114	50	8	13.5	19	55	6	21.5	40	4	32	12	78	M6*16	M8	9
	AD3, AD3/ZR			135	70	8	15.5	28	70	8	31	60	5	50	16	98	M8*19	M10	11
	AD4, AD4/ZR			186	95.5	13	16	38	92	10	41	80	5	70	20	120	M12*28	M12	13.5
	AD5, AD5/ZR		240	126	11	24	42	120	12	45	110	10	70	20	160	M16*36	M12	13.5	

型号 Frame size	AD..	A	B	C	C1	C2	D	D1	F	G	I	I1	I2	I3	M	S1	S2	S3
GR/GF..97 GK/GS..97	AD3, AD3/ZR	300	135	70	8	15.5	28	70	8	31	60	5	50	16	98	M8*19	M10	11
	AD4, AD4/ZR		186	95.5	13	16	38	92	10	41	80	5	70	20	120	M12*28	M12	13.5
	AD5, AD5/ZR		240	126	11	24	42	120	12	45	110	10	70	20	160	M16*36	M12	13.5
	AD6, AD6/ZR		271.5	130.5	11	22.5	48	130	14	51.5	110	10	80	26	193	M16*36	M16	17.5
GR..107 GF..107 GK..107	AD3, AD3/ZR	350	135	70	8	15.5	28	70	8	31	60	5	50	16	98	M8*19	M10	11
	AD4, AD4/ZR		186	95.5	13	16	38	92	10	41	80	5	70	20	120	M12*28	M12	13.5
	AD5, AD5/ZR		240	126	11	24	42	120	12	45	110	10	70	20	160	M16*36	M12	13.5
	AD6, AD6/ZR		271.5	130.5	11	22.5	48	130	14	51.5	110	10	80	26	193	M16*36	M16	17.5
GF..127 GK..127	AD4, AD4/ZR	450	186	95.5	13	16	38	92	10	41	80	5	70	20	120	M12*28	M12	13.5
	AD5, AD5/ZR		240	126	11	24	42	120	12	45	110	10	70	20	160	M12*28	M12	13.5
	AD6, AD6/ZR		271.5	130.5	11	22.5	48	130	14	51.5	110	10	80	26	193	M16*36	M16	17.5
	AD7, AD7/ZR		282.5	133	13	19	55	125	16	59	110	10	90	30	190	M20*42	M20	22
	AD8, AD8/ZR		374	155	15	22.5	70	120	20	74.5	140	15	110	19.5	210	M20*42	M12	13.5
GR..137	AD4, AD4/ZR	400	186	95.5	13	16	38	92	10	41	80	5	70	20	120	M12*28	M12	13.5
	AD5, AD5/ZR		240	126	11	24	42	120	12	45	110	10	70	20	160	M16*36	M12	13.5
	AD6, AD6/ZR		271.5	130.5	11	22.5	48	130	14	51.5	110	10	80	26	193	M16*36	M16	17.5
	AD7, AD7/ZR		282.5	133	13	19	55	125	16	59	110	10	90	30	190	M20*42	M20	22
GR147	AD4, AD4/ZR	450	186	95.5	13	16	38	92	10	41	80	5	70	20	120	M12*28	M12	13.5
	AD5, AD5/ZR		240	126	11	24	42	120	12	45	110	10	70	20	160	M12*28	M12	13.5
	AD6, AD6/ZR		271.5	130.5	11	22.5	48	130	14	51.5	110	10	80	26	193	M16*36	M16	17.5
	AD7, AD7/ZR		282.5	133	13	19	55	125	16	59	110	10	90	30	190	M20*42	M20	22
	AD8, AD8/ZR		374	155	15	22.5	70	120	20	74.5	140	15	110	19.5	210	M20*42	M12	13.5
GF..157 GK..157	AD5, AD5/ZR	550	240	126	11	24	42	120	12	45	110	10	70	20	160	M12*28	M12	13.5
	AD6, AD6/ZR		271.5	130.5	11	22.5	48	130	14	51.5	110	10	80	26	193	M16*36	M16	17.5
	AD7, AD7/ZR		282.5	133	13	19	55	125	16	59	110	10	90	30	190	M20*42	M20	22
	AD8, AD8/ZR		374	155	15	22.5	70	120	20	74.5	140	15	110	19.5	210	M20*42	M12	13.5
GR..167 GK..167	AD5, AD5/ZR	550	240	126	11	24	42	120	12	45	110	10	70	20	160	M16*36	M12	13.5
	AD6, AD6/ZR		271.5	130.5	11	22.5	48	130	14	51.5	110	10	80	26	193	M16*36	M16	17.5
	AD7, AD7/ZR		282.5	133	13	19	55	125	16	59	110	10	90	30	190	M20*42	M20	22
	AD8, AD8/ZR		374	155	15	22.5	70	120	20	74.5	140	15	110	19.5	210	M20*42	M12	13.5
GK..187	AD5, AD5/ZR	550	240	126	11	24	42	120	12	45	110	10	70	20	160	M16*36	M12	13.5
	AD6, AD6/ZR		271.5	130.5	11	22.5	48	130	14	51.5	110	10	80	26	193	M16*36	M16	17.5
	AD7, AD7/ZR		282.5	133	13	19	55	125	16	59	110	10	90	30	190	M20*42	M20	22
	AD8, AD8/ZR		374	155	15	22.5	70	120	20	74.5	140	15	110	19.5	210	M20*42	M12	13.5